

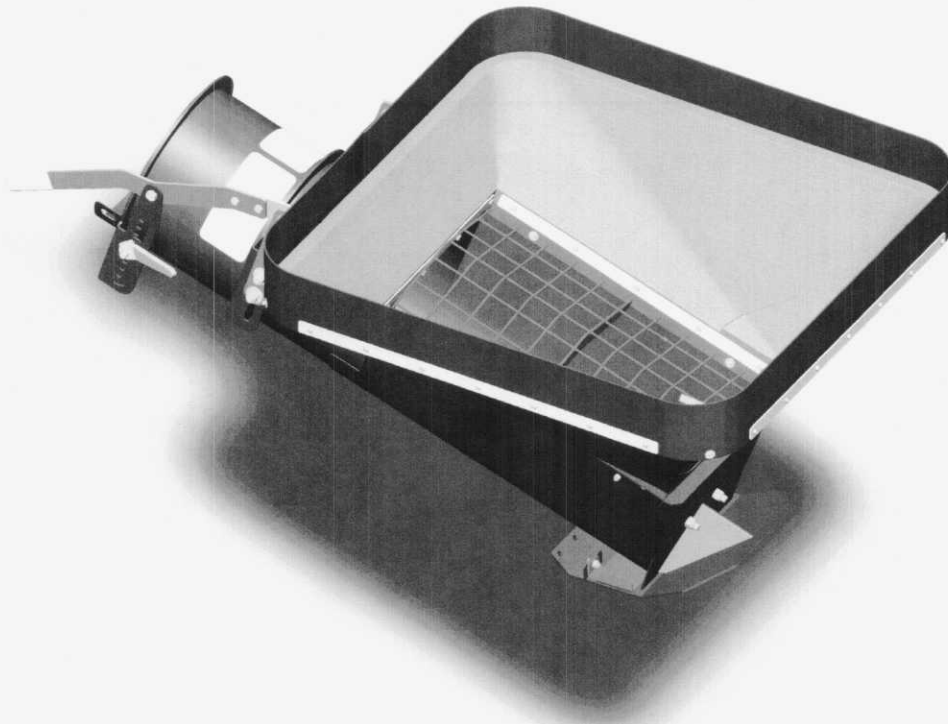


AUGER-HOG

Operator's Manual

Published: 05/24/2013

Manual Part No. AH02-00-M2



This manual applies to:

AH02-00- R2	ADJUSTABLE HOPPER, 8-10"	117 lbs.
AH01-02	MOUNTING ADAPTER KIT, WESTFIELD/WHEATHEART	2.6 lbs.
AH01-80	RUBBER PLUG KIT, 10" AUGER (8-10" HOPPER)	2.4 lbs.
AH01-85	RUBBER PLUG KIT, 8" AUGER (8-10" HOPPER)	3.4 lbs.
AH12-00	ADJUSTABLE HOPPER, 12"	125 lbs.
AH12-85	RUBBER PLUG KIT, 10" AUGER (12" HOPPER)	3.6 lbs.
AH12-80	RUBBER PLUG KIT, 12" AUGER (12" HOPPER)	2.4 lbs.
AH15-00	ADJUSTABLE HOPPER, 13"	131 lbs.
AH15-86	RUBBER PLUG KIT, 12" AUGER (13" HOPPER)	3.4 lbs.
AH15-88	RUBBER PLUG KIT, 13" AUGER (13" HOPPER)	2.7 lbs.

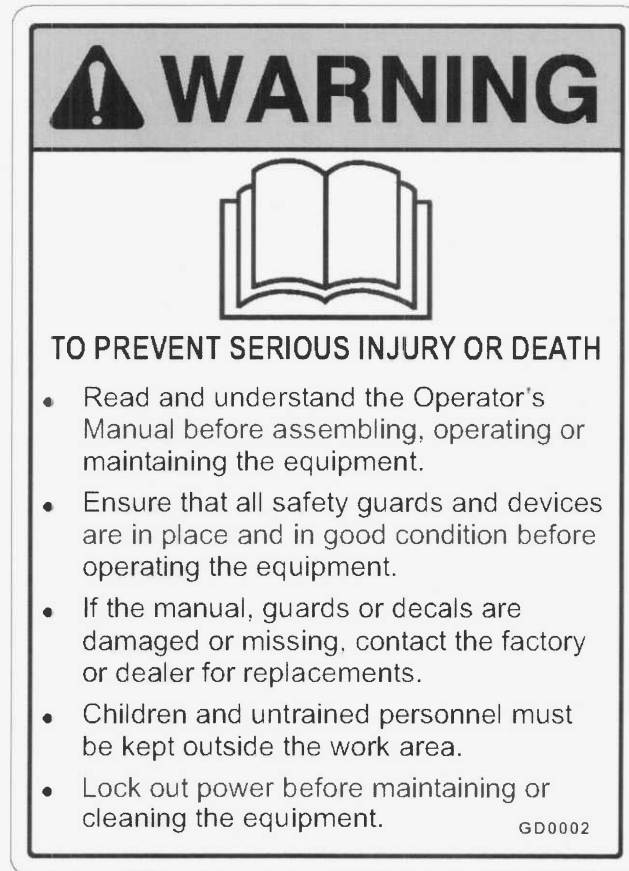


READ, UNDERSTAND, and FOLLOW the Safety and Operation instructions contained in this manual before using this equipment. Failure to follow instructions and safety precautions can result in serious injury or death. Keep this manual where it is easily accessible for future reference.

To the Owner/Operator/Dealer

All implements with moving parts are potentially hazardous. There is no substitute for a cautious, safe-minded operator who recognizes the potential hazards and follows reasonable safety practices. The manufacturer has designed the equipment to be used with all its safety equipment properly attached to minimize the chance of accidents.

BEFORE YOU START!! Read the safety messages on the equipment and shown in your manual. Observe the rules of safety and common sense!



WARRANTY INFORMATION:

Read and understand the Warranty Policy statement found in this manual.

Table of Contents

1.0	Introduction	5
2.0	Safety.....	5
2.1	Auger Manufacturer’s Operator’s Manual	6
2.2	General Safety	6
2.3	Operation Safety	7
2.4	Maintenance Safety	7
2.5	Safety Decals	7
2.6	Decal Installation.....	7
2.7	Decal Locations	8
3.0	Attachment to Auger	9
3.1	Add auger specific adapter	9
3.2	Connect auger to the hopper.....	9
3.3	Slide auger into hopper and adjust auger end support bracket	10
3.4	Install pin.....	10
3.5	Install tie down strap.....	11
3.6	Install optional rubber plug.....	11
4.0	Operation	12
4.1	Rear height adjustment.....	12
4.2	Angle adjustment	12
4.3	Clean out door.....	13
5.1	General maintenance	14
5.2	Replacing canvas	14
6.0	Warranty	15
7.0	Assembly Instructions	17

1.0 Introduction

Congratulations. We are confident that your new Gatco “Auger Hog” will help you get the most out of your grain auger, allowing you to load grain in tight spaces without spillage. Before using this equipment, please read this manual and all safety labels and familiarize yourself with the various features of the equipment and its safe operation.

In addition, anyone using this equipment is required to comply with all safety precautions, described in this manual and on the safety labels attached to the equipment.

Thank you.

2.0 Safety



The Safety Alert Symbol combined with a Signal Word, is used throughout this manual and on decals which are attached to the equipment. The Safety Alert Symbol means: “ATTENTION! BECOME ALERT! YOUR SAFETY IS INVOLVED!” The Symbol and Signal Word are intended to warn the owner/operator of impending hazards and the degree of possible injury faced when operating this equipment.

The Safety Alert symbol means ATTENTION, BE ALERT!, YOUR SAFETY IS INVOLVED.

Note the use of the signal words DANGER, WARNING, CAUTION, and IMPORTANT with the safety messages. The appropriate signal word for each message has been selected using the definitions below as a guideline.



Indicates an imminently hazardous situation that, if not avoided, will result in serious injury or death.



Indicates a hazardous situation that, if not avoided, could result in serious injury or death.



Indicates a hazardous situation that, if not avoided, may result in minor or moderate injury.



Identifies special instructions or procedures that, if not strictly observed, could result in damage to the equipment or other property.

2.1 Auger Manufacturer's Operator's Manual

! DANGER

In addition to the safety instructions included in this manual, READ, UNDERSTAND and comply with the safety instructions included in the operator's manual for your grain auger.

2.2 General Safety

The general safety section includes instructions that apply to all safety practices.

YOU are responsible for the SAFE use and maintenance of your equipment. YOU must ensure that you and anyone else who is going to work around the equipment understands all procedures and related SAFETY information contained in this manual. All accidents can be avoided.

- It is the equipment owner and the operator's responsibility to read and understand ALL safety instructions, safety decals, and manuals and follow them before assembling, operating, or maintaining the equipment.
- The equipment owner is responsible for providing instruction and training on the contents of this manual to personnel before allowing them to operate the equipment. An untrained operator may expose themselves and bystanders to possible serious injury or death.
- Use this equipment for its intended purposes only.
- Do not modify the equipment in any way. Unauthorized modification may impair the function and safe operation of the equipment and will void the warranty.



- Do not allow children, spectators, or bystanders within the work area.
- Have a first-aid kit on hand should it be required.
- Wear appropriate protective gear. This list includes, but is not limited to:



- a hard hat
- gloves
- protective shoes with slip-resistant soles
- protective goggles
- hearing protection



- Before servicing, adjusting, or repairing the equipment, disconnect power to the auger, unplug, place all controls in neutral or off position, stop the engine or motor, remove ignition key or lock out power source, and wait for all moving parts to stop.

2.3 Operation Safety

- Always work with a second trained person who is in a position to shut down the auger in case of accident.
- Do not operate with safety guards or doors removed.
- Keep body, hair, and clothing away from moving parts. Stay away from intake during operation

2.4 Maintenance Safety

- Shut down and lock out all power before attempting maintenance of any kind.
- It should not be necessary to remove the auger flighting guard to service the ADJUSTABLE HOPPER. However if the auger flighting guard or cleanout doors are removed, they must be reinstalled before operating the auger
- Use only genuine Gatco replacement parts. Replacement parts such as the intake guard must meet ASABE standards or serious injury may result. Use of unauthorized parts will void warranty. Contact Gatco Manufacturing Inc. for further information.

2.5 Safety Decals

- Keep safety decals clean and legible at all times.
- Replace safety decals that are missing or have become illegible. See decal location illustration below.
- Safety decals are available from your dealer, or the manufacturer.

2.6 Decal Installation

- Decal area must be clean and dry, with a temperature above 10°C (50°F).
- Decide on the exact position before you remove the backing paper.
- Align the decal over the specified area and carefully press the small portion with the exposed sticky backing in place.
- Slowly peel back the remaining paper and carefully smooth the remaining portion of the decal in place.
- Small air pockets can be pierced with a pin and smoothed out using the sign backing paper.

2.7 Decal Locations

Illustrations of the safety decals that are attached to the equipment and their location on the equipment are shown below. Familiarize yourself with the safety decals and the safety precautions they describe, in order to avoid serious, injury, death, or damage to equipment.



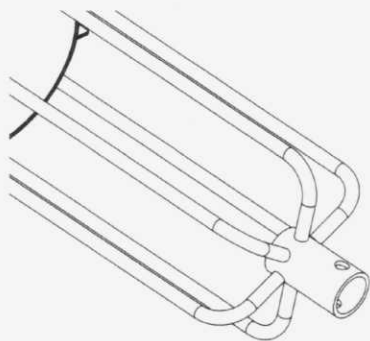
3.0 Attachment to Auger

CAUTION

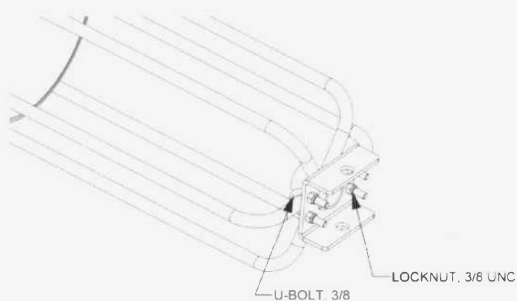
The ADJUSTABLE HOPPER weighs 117 lbs. Because of the weight, 2 or more people will be required to install or remove it from the auger.

3.1 Add auger specific adapter

Standard equipment is provided to fit Sakundiak and Brandt style auger end.



AH01-02 MOUNTING ADAPTER KIT is required to use Westfield/Wheatheart augers. See below; attach the adapter bracket to the auger using two 3/8" u-bolts and 4 – 3/8" locknuts.



3.2 Connect auger to the hopper

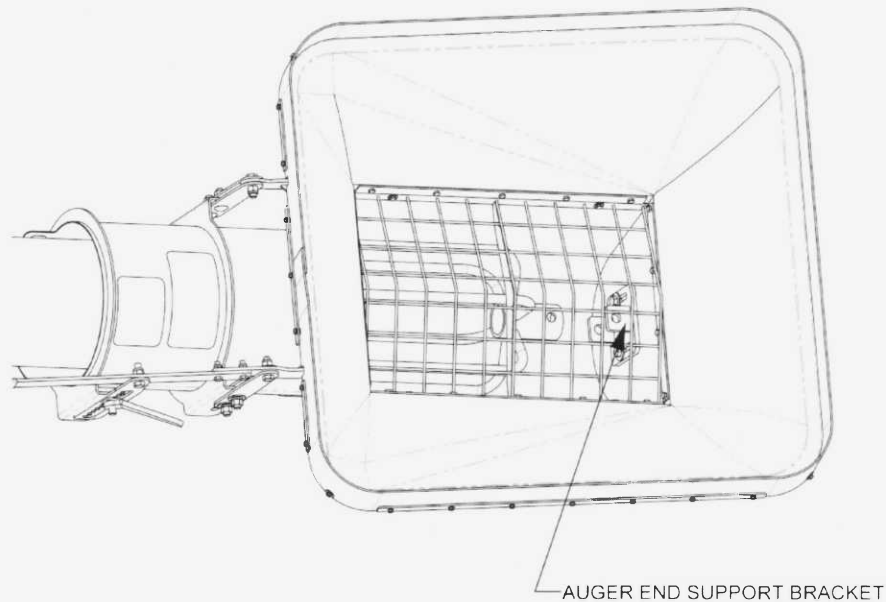
Remove the auger flighting guard from your auger. The auger flighting guard provided with the ADJUSTABLE HOPPER will replace your original auger flighting guard.

DANGER

To prevent death or serious injury, DO NOT operate the auger without a flighting guard in place. If the ADJUSTABLE HOPPER is removed from the auger, the original auger flighting guard provided with your auger MUST be re-installed before operating the auger.

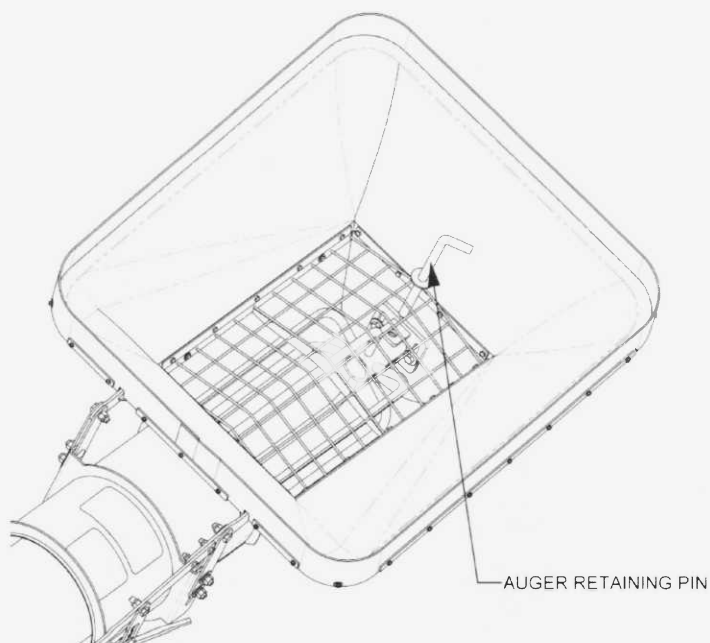
3.3 Slide auger into hopper and adjust auger end support bracket

Slide your auger into the end of the ADJUSTABLE HOPPER and check whether the auger end support bracket needs to be adjusted up or down. Position the auger end support bracket so that the auger sits on the bottom of the hopper, you may have to slide the bracket down. Loosen but do not remove the two ½ X 1-1/2 bolts and move the bracket up or down until it aligns with the auger end. This adjustment can be made without removing the auger flighting guard using a box end wrench.



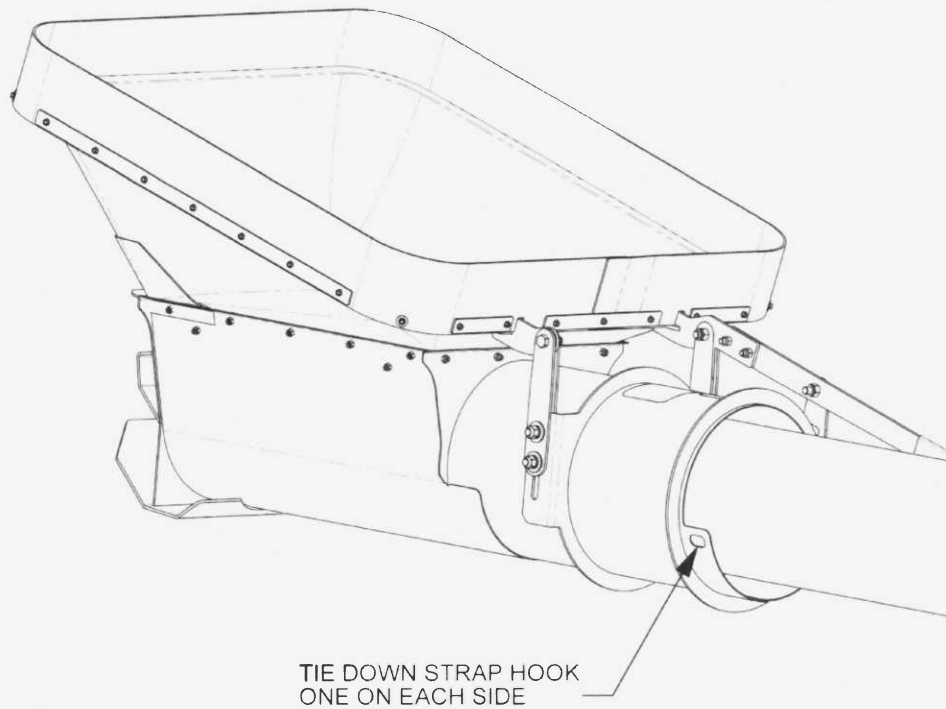
3.4 Install pin

Install auger retaining pin.



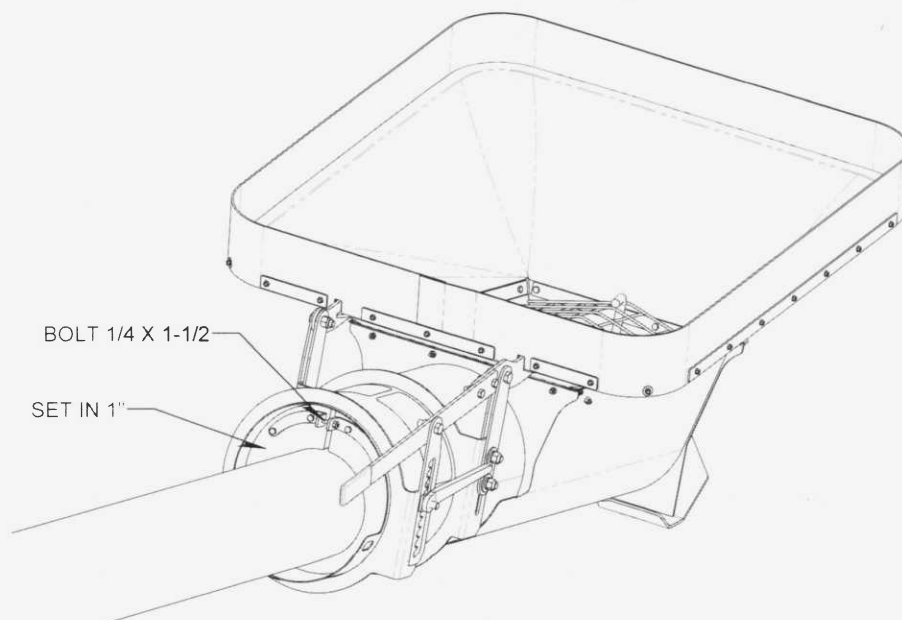
3.5 Install tie down strap

Use a ratchet type tie down strap to secure your auger to the ADJUSTABLE HOPPER.



3.6 Install optional rubber plug

Slip rubber plug around the grain auger tube and clamp in place using the 1/4 x 1-1/2 bolt and locknut provided. Position the plug so that it is set into the hopper frame about 1" when the retaining pin is in place.



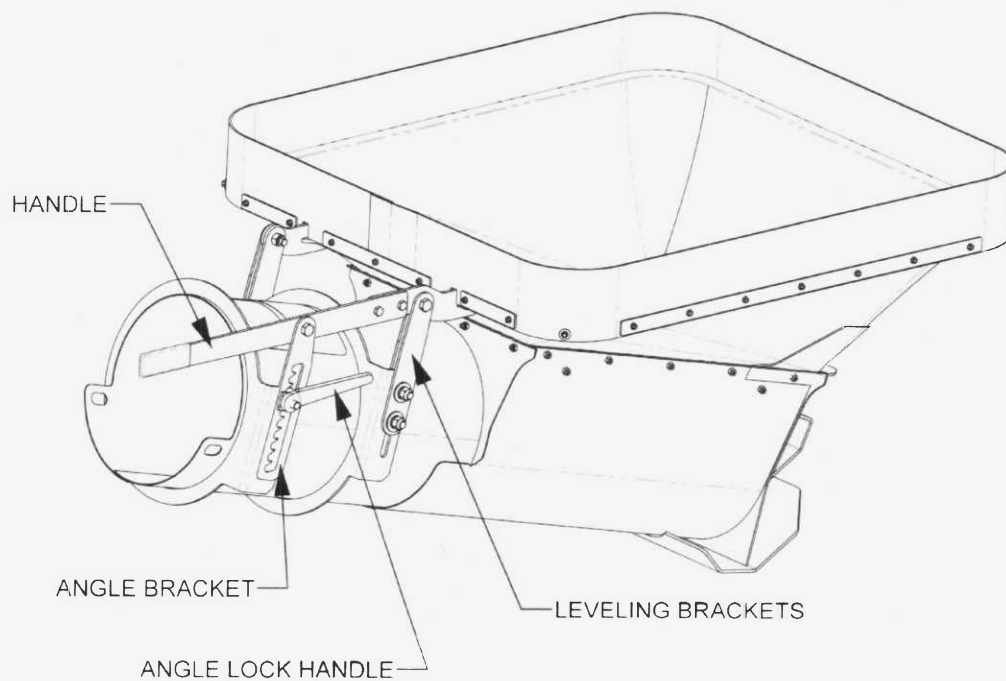
4.0 Operation

4.1 Rear height adjustment

Adjustable leveling brackets are provided so that the hopper can be leveled for different working heights. See the illustration below. Loosen the $\frac{1}{2}$ X 1-1/2" carriage bolts on either side of the hopper. Raise or lower the hopper to the desired height and retighten the bolts.

4.2 Angle adjustment

The angle of the hopper can be quickly adjusted by loosening the angle lock handle, and positioning the angle bracket to a different detent position. This allows you to work around a grain discharge point, then quickly lower the hopper angle to be able to pull the auger back.

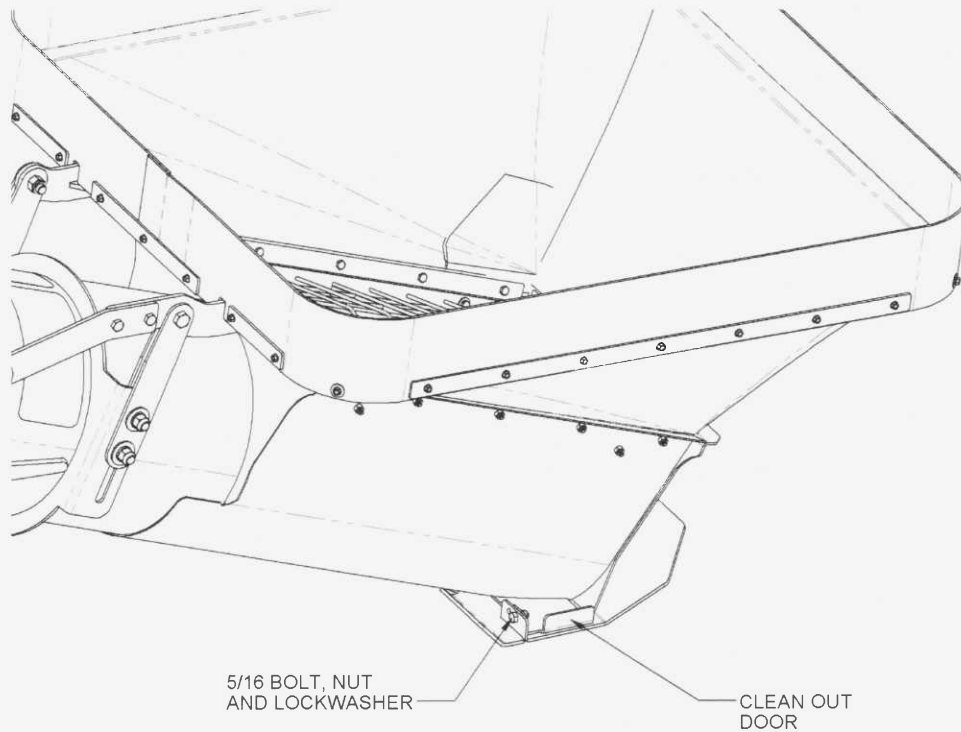


4.3 Clean out door

A drain/clean out door is located at the bottom of the hopper. Remove the door in order to clean out grain that may be left in the front of the hopper. A 5/16 nut, lock washer and washer hold the door in place.

⚠ WARNING

To prevent serious injury, DO NOT insert fingers in the clean out opening. Use a stick through the fighting guard to help move grain to the clean out opening. Do not operate the auger with the clean out door removed.



5.1 General maintenance

When not in use, do not leave the hopper full of grain as this may cause unnecessary stress to the seams of the hopper fabric.

To clean out the hopper pull the auger retaining pin and separate the hopper from the auger. Grain or other material can then be easily dumped out of the auger inlet tube.



To prevent death or serious injury, DO NOT operate the auger without a fighting guard in place.



The ADJUSTABLE HOPPER weighs 117 to 131 lbs. depending on size. Because of the weight, 2 or more people will be required to remove and reinstall it on the auger.

5.2 Replacing canvas

The hopper fabric is 2250H POLYESTER SCRIM, 22OZ PVC COAT. It is an extremely tough and wear resistant fabric that should provide years of use under normal conditions. However replacement parts are available for the fabric and for the rubber surround.

Part Numbers are:

AH02-71	Hopper canvas, 8-10"
AH01-70	Rubber surround, 8-10"
AH12-71	Hopper canvas, 12 and 13"
AH12-70	Rubber surround, 12"
AH15-70	Rubber surround, 13"

6.0 Warranty

Warranty Policy for AH02-00, AH12-00 and AH15-00 ADJUSTABLE HOPPERS and accessories

Gatco Manufacturing Inc. ("the manufacturer") warrants to the original purchaser only, that in the event of any defect in material or workmanship in the ADJUSTABLE HOPPER, the subject of this warranty ("the goods") during the warranty period mentioned below the manufacturer will provide the cover specified below.

This warranty is in place of any other warranty or guarantee whether implied or expressed in any conditions of purchase of the buyer, and does not extend to impose any further liability on the manufacturer than set out below.

CONDITIONS

1. This warranty does not extend to:
 - a. Damage or deterioration after delivery from the manufacturer's works not attributable to defective material or workmanship.
 - b. Any goods after they have been altered or repaired other than by the manufacturer's employees or its' agents in each case authorized in writing by the manufacturer to effect that specific alteration or repair to those specific goods.
 - c. Any equipment or machinery of any kind furnished by the buyer, or belonging to, or acquired from third parties at the buyer's request.
 - d. Any goods which have sustained damage or deterioration attributable to inadequate or faulty assembly.

2. This warranty is conditional upon:
 - a. Operation in accordance with the manufacturer's specifications and recommendations (as set out, or referred to in the 'manual') supplied for the goods.
 - b. Notifying the manufacturer within thirty (30) days of the time a part is discovered to be damaged or defective.
 - c. Examination of the goods by the manufacturer or one of its agents to verify that the goods are defective in material or workmanship.

COVER

1. In respect of claims notified:
 - a. Non-commercial or farm use - During the first twelve (12) months, parts and labour on repair.
 - b. Rental use - During the first thirty (30) days, parts and labour on repair.
 - c. Commercial use - During the first six (6) months, parts and labour on repair.
2. The buyer is responsible for any labour charges exceeding a reasonable amount as determined by the manufacturer and for returning the goods to the dealer, whether or not the claim is approved. The buyer is responsible for the transportation costs of the goods or part(s) from the dealer to the designated factory.

WARRANTY PERIOD

1. Non-commercial or farm use - The warranty period shall be the period of twelve (12) months from the date of purchase.
2. Rental use - The warranty period shall be the period of thirty (30) days from the date that the goods are received by the buyer.
3. Commercial use - The warranty period shall be the period of six (6) months from the date of purchase.
4. All notices and correspondence to the manufacturer shall be confirmed by letter addressed to:

Attention: Warranty Compliance

Gatco Manufacturing Inc.

2524 South Service Road West

Swift Current, SK

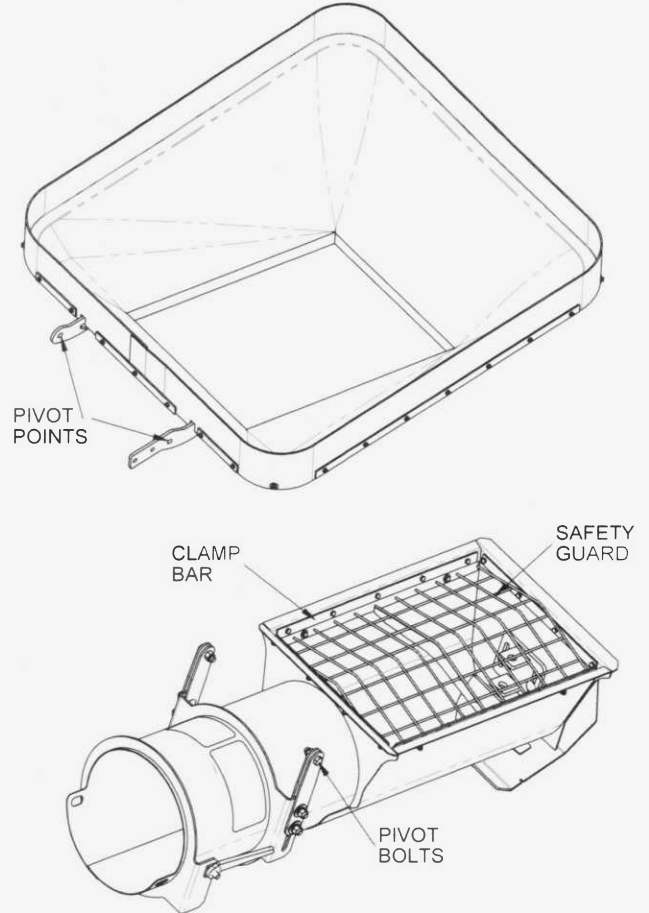
Canada S9H 5J9

7.0 Assembly Instructions

Assemble hopper to base

Refer to Fig. 1.

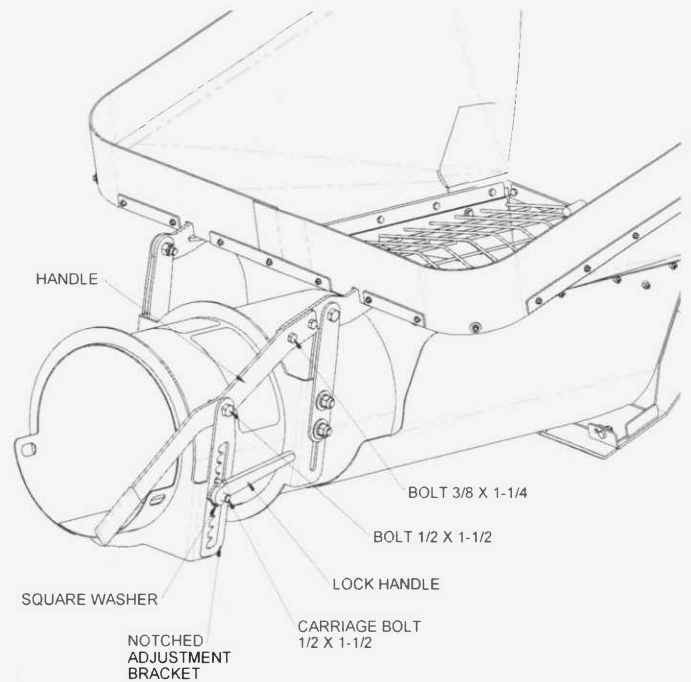
1. Remove safety guard. Remove 4 – $\frac{1}{4}$ x $\frac{3}{4}$ " bolts, washers and locknuts and set aside.
2. Remove 4 clamp bars. Remove 18 – $\frac{1}{4}$ x $\frac{3}{4}$ " bolts and locknuts and set aside.
3. Remove 2 – $\frac{1}{2}$ x 1-1/2" pivot bolts and locknuts and set aside.
4. Attach hopper fabric. Align holes that are punched into the lower part of the hopper fabric with holes on the base. Reinstall the clamp bars using the $\frac{1}{4}$ x $\frac{3}{4}$ " bolts that were set aside. Do not install one of the side clamp bars at this time.
5. Install the 2 – $\frac{1}{2}$ x 1-1/2" pivot bolts through the pivot points on the upper frame. Do not fully tighten so that the bolts are free to turn.
6. Reinstall the safety guard using 4 – $\frac{1}{4}$ x $\frac{3}{4}$ " bolts, washers and locknuts that were set aside.
7. Install the side guard that was left off using $\frac{1}{4}$ x $\frac{3}{4}$ " bolts and locknuts. This side guard must be left off in order that the safety guard can be assembled below it.



Assemble handle

Refer to Fig. 2

1. Remove all parts from shrink wrapped shipping bundle.
2. Bolt handle to the upper frame using 2 – 3/8 x 1-1/4" bolts and locknuts.
3. Remove square washer and lock handle that is attached to the base.
4. Bolt the top of the adjustment bracket to the handle using a 1/2 x 1-1/2 bolt and locknut. Do not fully tighten so the bolt is free to pivot.
5. Attach the lower part of the adjustment bracket against the tab on the base. The 1/2 x 1-1/2" carriage bolt comes through the back of tab on the base, next fit the adjustment bracket, square washer and then the lock handle.



If you have any questions regarding assembly of the adjustable hopper phone the GATCO Helpine.

Gatco Manufacturing Inc. 2524 South Service Road West, Swift Current, SK, Canada, S9H 5J9
Help Line: 1-306-778-3338